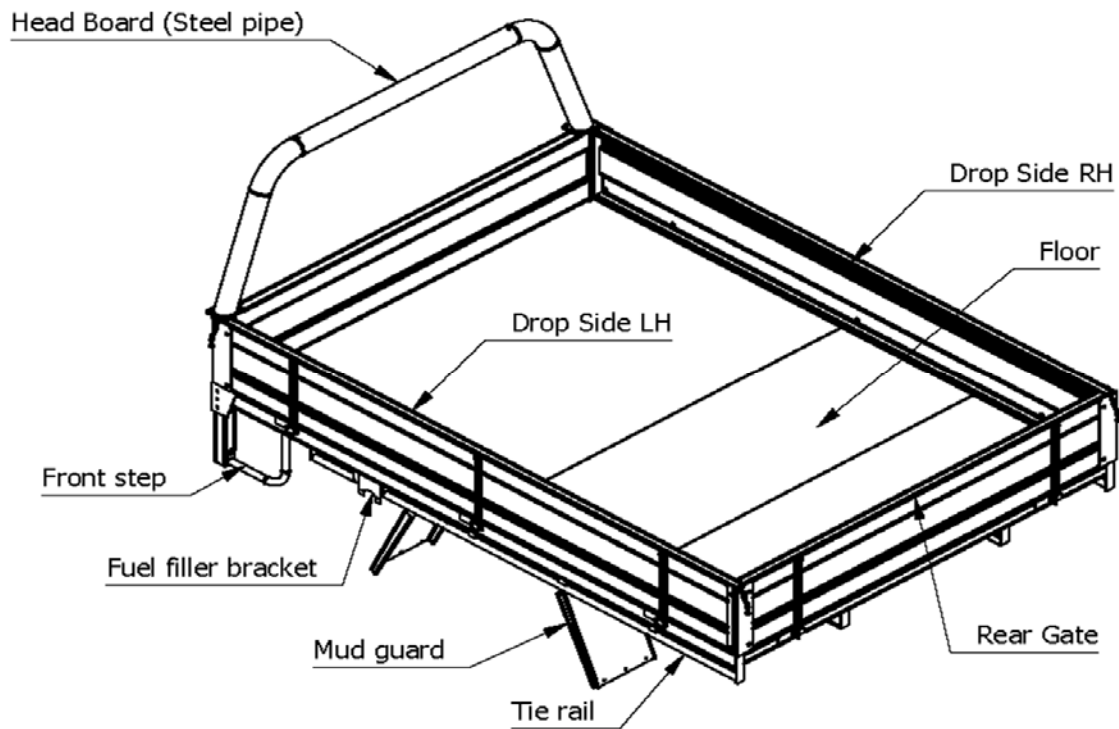


Heavy Duty Steel Tray



Heavy Duty Steel Tray



Technical Data

- 300 mm. height drop side.
- 3 mm. thick chequer plate floor
- 2 mm. thick GALVANIZED drop side and tailgate
- 75 mm. headboard pipe
- Front step (NOT available on dual cab)
- POWDER COATED FINISH (White / Charcoal)
- Available to all brand



ISUZU



www.fleet.co.th