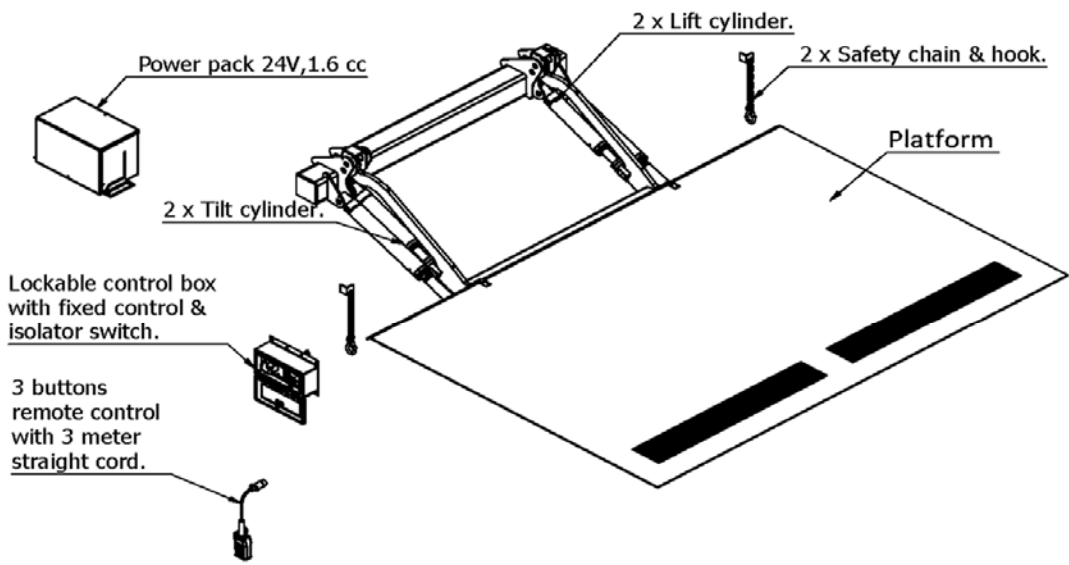


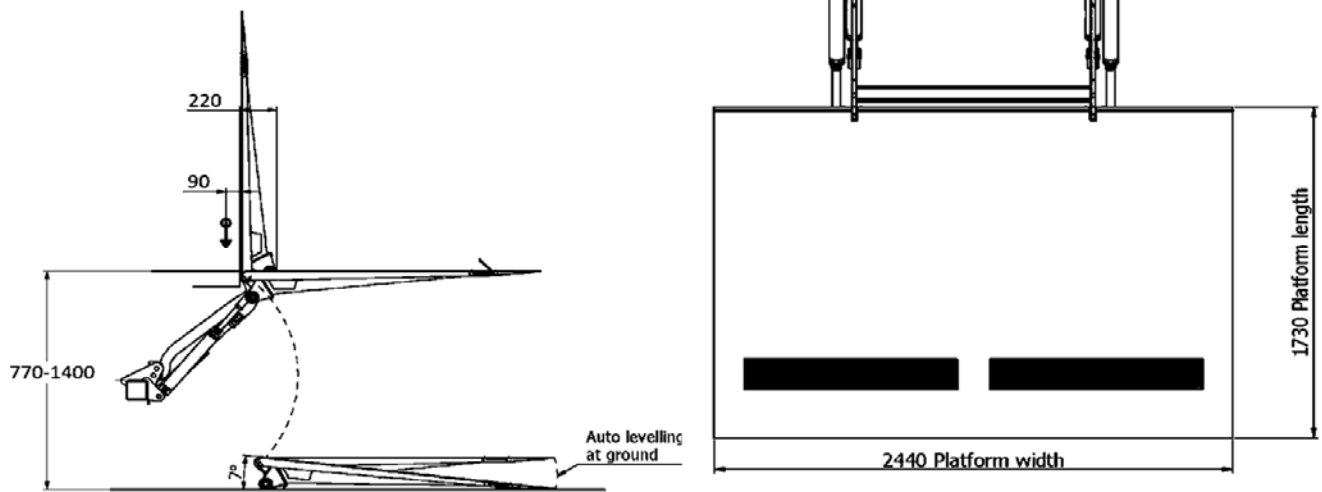
FTT-1000 : For Large 4W to 10W



Lifting Capacity 1000 Kg.

Auto levelling at Ground floor

FTT-1000



Control Box



Aluminium Cart Stop

Technical Data

	FTT-1000CLB	FTT-1000ELB	FTT-1000C	FTT-1000E
Lifting Capacity (Kg.)	1000			
Suit to Truck	4W-Small 6W		Medium 6W-10W	
Platform Material	Steel	Alu	Steel	Alu
Platform Dimension (mm.)	1730 long x 2440 width Max.			
Approx.Weight (Kg.)	450	275	525	350
Cart Stop	STANDARD OPTION			